

GSU Angle Bracket

Features

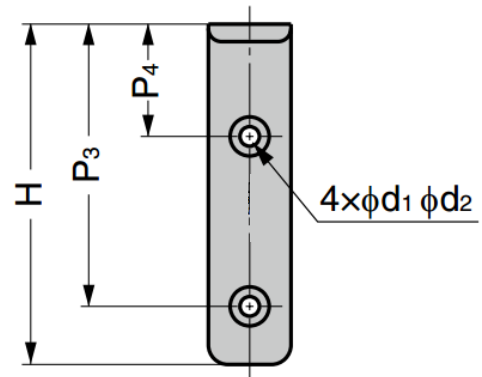
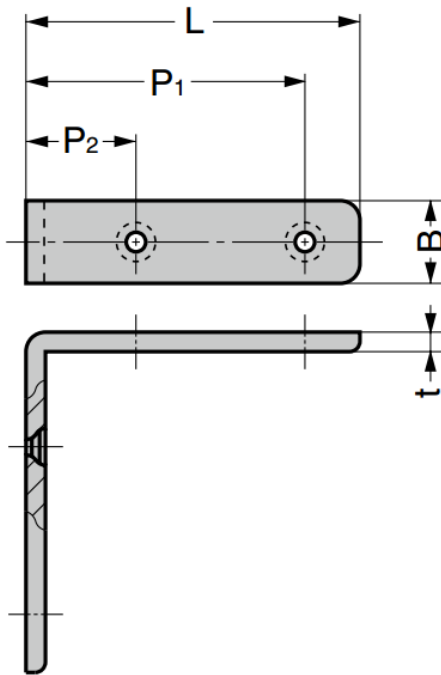
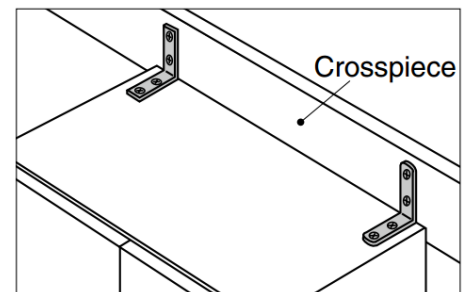
- Made of stainless steel with excellent rust resistance, ideal for use as reinforcement fittings and brackets for partition panel in various applications
- Rounded corners for safety

Material

- Stainless steel 304, polished or satin finish

Parts Included

- Raised countersunk head tapping screw (SUS)



Part No.	Finish	L	B	H	P ₁	P ₂	P ₃	P ₄	t	d ₁	d ₂	Load Capacity	
GSU-30S	Satin	30	12	30	24	11	24	11	2.5	3.5	6.5	59 N	6 kg
GSU-30M	Polished											49 N	5 kg
GSU-45S	Satin	45	13	45	37	17	37	17	3	4	7.5	39 N	4 kg
GSU-45M	Polished											39 N	4 kg
GSU-60S	Satin	60	15	60	50	20	50	20	3	4	7.5	39 N	4 kg
GSU-60M	Polished											39 N	4 kg